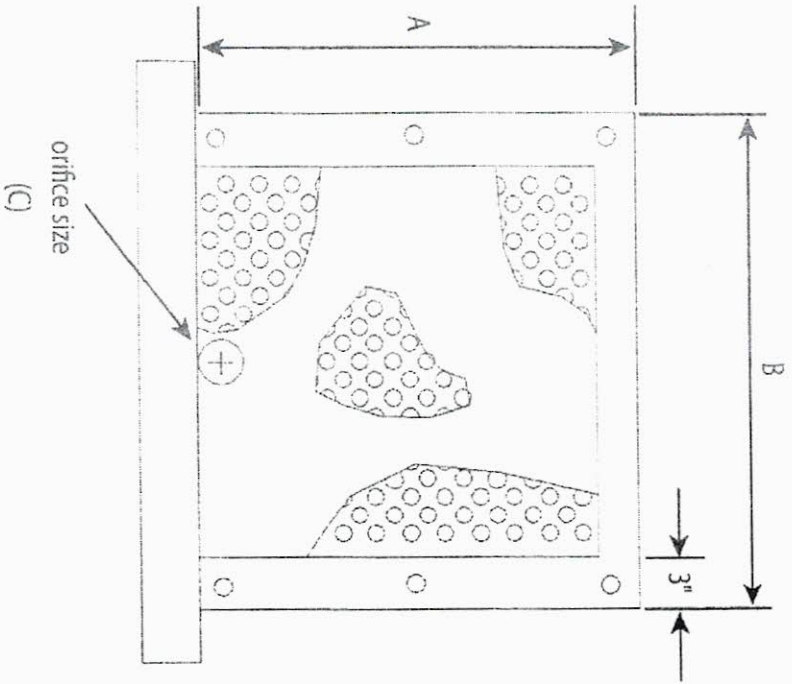
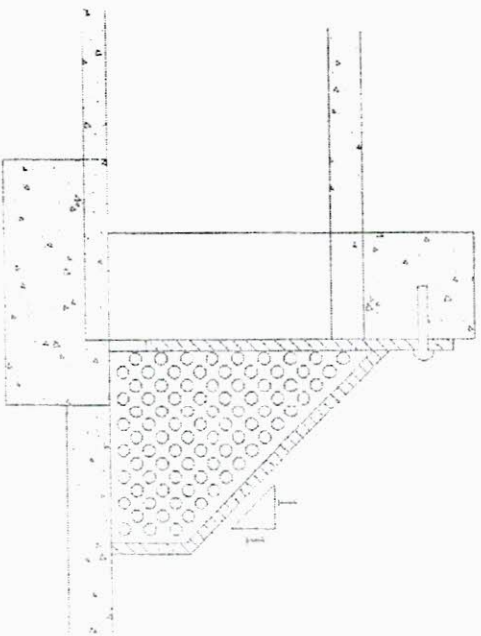


BMP TRASH RACK
 (Please provide all dimensions in inches)



orifice size
 (C)

BMP _____ (A) _____ (B) _____ (C)



Plastic Solutions, Inc.
 PO Box 4386, Winchester, VA 22604
 238 McChesee Rd, Winchester, VA 22603
 (877) 877-5727 phone
 (540) 722-2219 fax
<http://www.plastic-solution.com>

CUSTOMER:

PROJECT:

DATE:

DRAWN BY:

APP'D BY:

DETAIL: