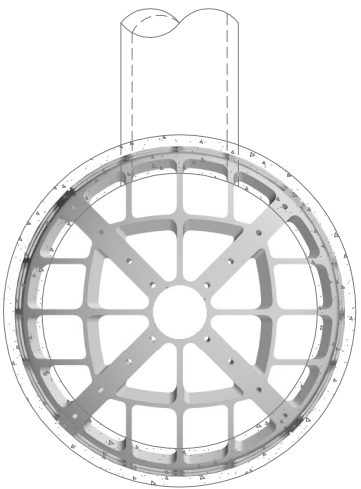
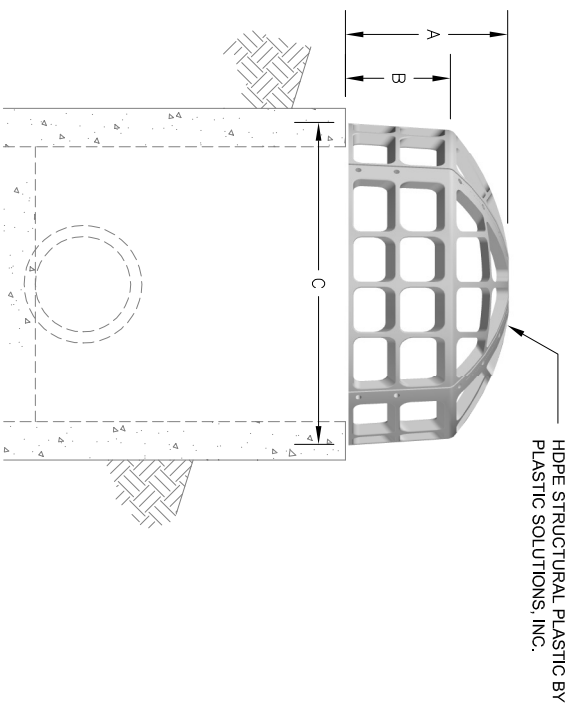


# StormRax™ ROUND SERIES TRASH RACK

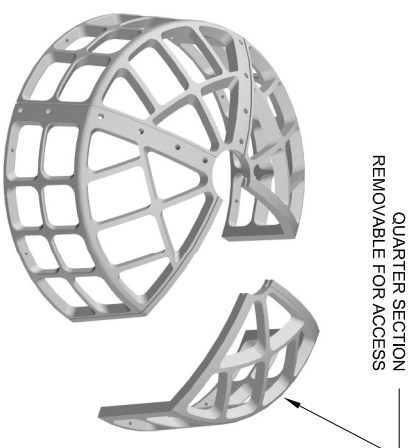
CONCRETE MANHOLE  
STANDARD 48 INCH RACK SHOWN  
DIMENSIONS IN INCHES



PLAN



SIDE VIEW



ISOMETRIC

StormRax™ Round Series for Concrete Manhole					
Part No.	Dim A	Dim B	Dim C	Min ID	Min OD
RS-24	17 1/4	14 1/4	28	24	30
RS-36	21 1/4	14 3/8	40 7/8	36	43
RS-48	27 3/4	18	54	48	57
RS-60	27 1/2	18 1/4	66 1/2	60	70

CONCRETE STRUCTURE DIMENSIONS	
INSIDE STRUCTURE DIMENSION	
OUTSIDE STRUCTURE DIMENSION	

AVAILABLE OPTIONS	
CROSS BRACING FOR OVERHANG	
HDPE ANTI-VORTEX PLATE	

## Plastic Solutions, Inc.

PO Box 4386, Winchester, VA 22604  
238 McChesee Rd, Winchester, VA 22603  
(877) 877-5727 phone  
(540) 722-2219 fax  
<http://www.plastic-solution.com>



CUSTOMER:

PROJECT:

DATE:

DRAWN BY:

APP'D BY:

DETAIL: