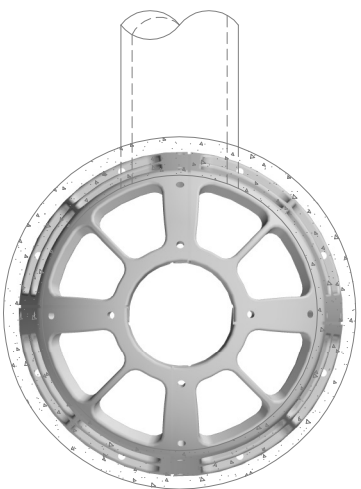
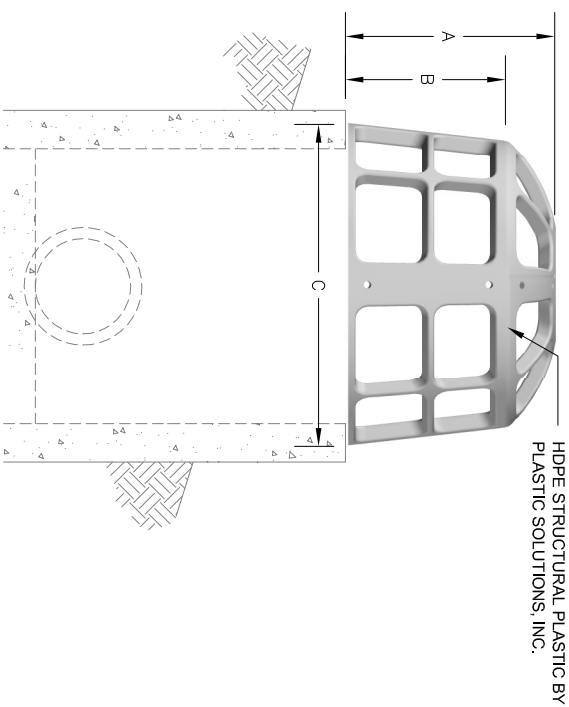


StormRax™ ROUND SERIES TRASH RACK

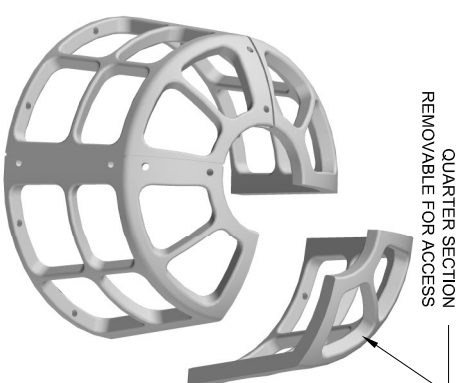
CONCRETE MANHOLE
STANDARD 24 INCH RACK SHOWN
DIMENSIONS IN INCHES



PLAN



SIDE VIEW



ISOMETRIC

StormRax™ Round Series for Concrete Manhole					
Part No.	Dim A	Dim B	Dim C	Min ID	Min OD
RS-24	17 1/4	14 1/4	28	24	30
RS-36	21 1/4	14 3/8	40 7/8	36	43
RS-48	27 3/4	18	54	48	57
RS-60	27 1/2	18 1/4	66 1/2	60	70

CONCRETE STRUCTURE DIMENSIONS

INSIDE STRUCTURE DIMENSION

OUTSIDE STRUCTURE DIMENSION

AVAILABLE OPTIONS

CROSS BRACING FOR OVERHANG

HDPE ANTI-VORTEX PLATE

CUSTOMER:

Plastic Solutions, Inc.

PO Box 4386, Winchester, VA 22604
238 McChhee Rd, Winchester, VA 22603
(877) 877-5727 phone
(540) 722-2219 fax
<http://www.plastic-solution.com>

PROJECT:

DATE:

DRAWN BY:

APP'D BY:

DETAIL:

